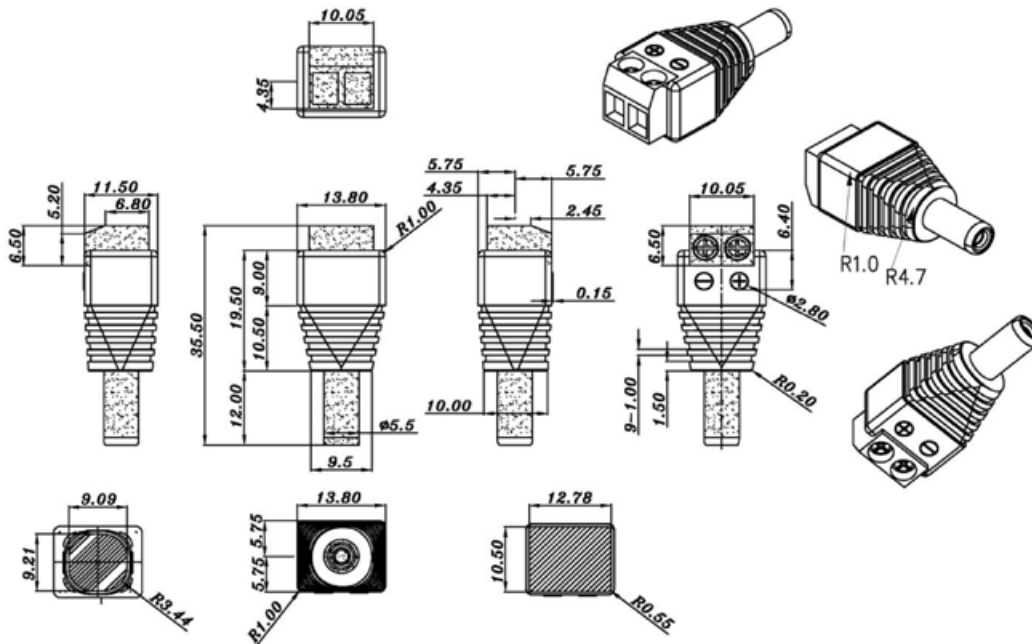


TBMB-10PK DC Male Plug to Terminal Block

A quick connector for the standard power socket

To install power wires to the connector just strip the wires & connect them to the terminals.



Connector type:	∅ 2.1 / 5.5 mm Straight plug
Wire mounting	Cable terminals
Application	Electric cable
Material	PET
Main Features	Very easy and quick assembly
Weight:	0.006 kg
Dimensions	37 x 14 x 12mm

Ordering Information:

TBMB-10PK

DC Male Plug to Terminal Block, 10pk